

# LED SPOT GU10



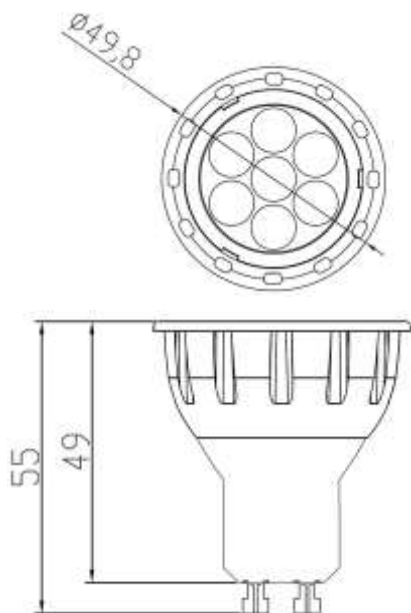
5.5W ALU+PC

## Product feature

- ◆ Adopting GENUINE NICHIA LED, high CRI 85 Lumens of natural white up to 535lm, and of warm white up to 500lm.
- ◆ No strobing and flickering.
- ◆ Most exacting standards which can completely replace for halogen GU10 lamps.
- ◆ Aluminum + Heat-conductive plastic material perfects the heat elimination.

Model Number	Power Consumption	LED	CRI	Efficiency (lm/W)	Color Temperature	Beam Angle	Input Voltage	PFC	Light Intensity	Lumens	Dimmable
40070602(WW)	5.5W	NICHIA	85	88	2700±200K	36°	100-240VAC	>0.6	900 cd	485 lm	NO
40070604(NW)	5.5W	NICHIA	85	95	4000±200K	36°	100-240VAC	>0.6	1000 cd	525 lm	NO
40070605(CW)	5.5W	NICHIA	85	97	5000±200K	36°	100-240VAC	>0.6	1010 cd	535 lm	NO

Note: CRI 95 LED also available, lumens is around 15% lower than the one of CRI 85 LED.



## Application

- Area: Indoor use only.
- Purpose: Accent lighting, local lighting.
- General lighting
- Hotel
- Hall / Lobby
- Jewelry store
- Theater
- BAR/Restaurant
- Store
- Art gallery
- Museum
- School

# LED SPOT GU10

## General characteristics

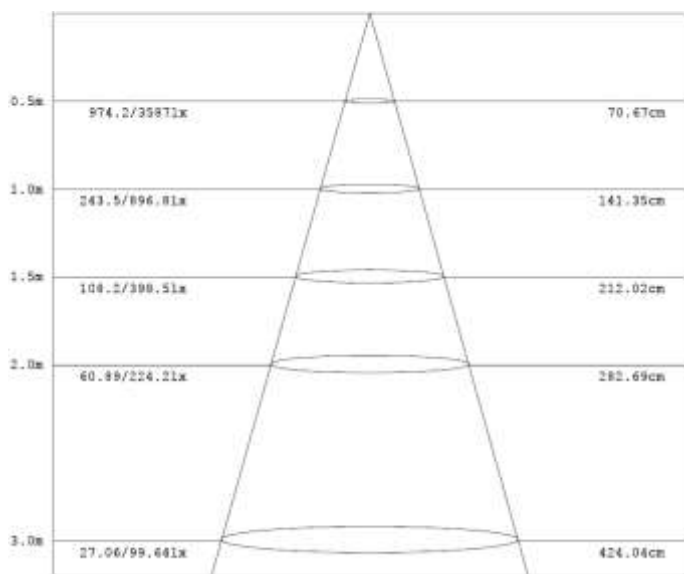
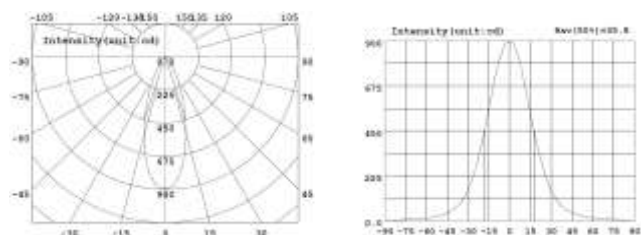
Model Number	Product name	Material	Base Type	IP Rating	Dimension (mm)	Net Weight	Lifetime (hr)	Working Temperature
40070602(WW)	LED Spot GU10	Aluminum + Heat-Conductive Plastic	GU10	IP20	Φ49.8x55	45g	40000	-5°C ~ +35°C
40070604(NW)	LED Spot GU10	Aluminum + Heat-Conductive Plastic	GU10	IP20	Φ49.8x55	45g	40000	-5°C ~ +35°C

## Packaging information

Packing: 100 PCS / carton		
Box	52x52x70(mm)	58g
Carton	46x29x25.5(cm)	7.1kg



**40070602(WW) 36°**

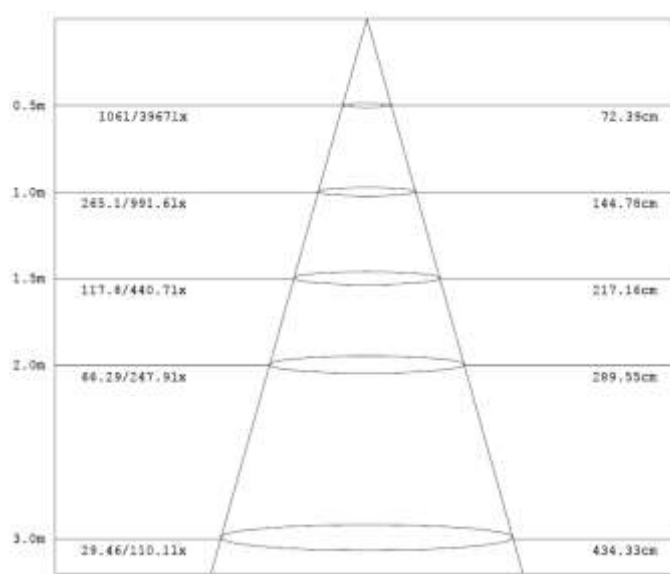
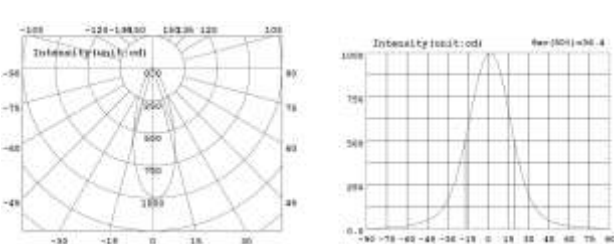


Height

Lux

Diameter

**40070604(NW) 36°**



Height

Lux

Diameter

## *LED SPOT GU10*



### **Important Caution**

- Not suitable for high temperature and moisture area.
- Not suitable for heavy air-polluted area.
- Not suitable for close system fixture.