

LED Down Light 3 inch



10W ALU

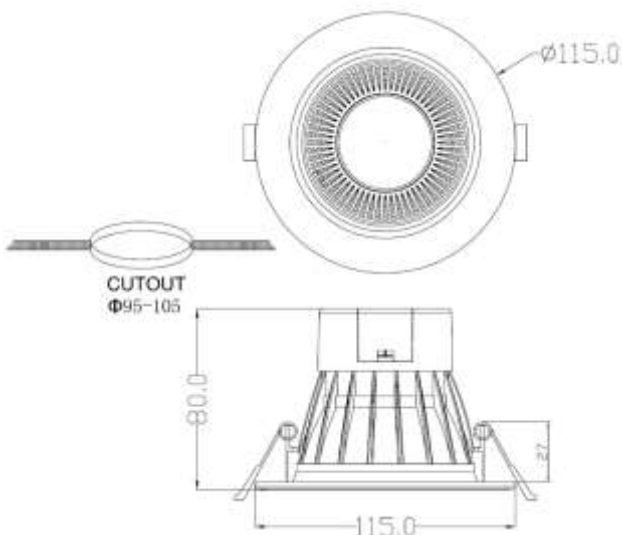


Product feature

- ◆ Aluminum + Heat-conductive plastic material allows best value price with good heat elimination.
- ◆ Integrated internal driver design makes it easy for installation.
- ◆ Adopted GENUINE NICHIA LED, CRI 85 or 95 optical.
- ◆ UGR<19, meets the requirements of the EN 12464 anti-glare standard without any additional attachments, and is therefore perfectly suitable for general lighting of VDTs.
- ◆ Smart dimmable down to 5% with most trailing edge and leading dimmers or dimming systems.
- ◆ CE/EMC/LVD/SAA/C-tick approved internal dimmable driver with 220-240V input.
- ◆ Full range color temperature 2700K, 3000K, 4000K, 5000K for wide selection.

Model Number	Power Consumption	LED	CRI	Efficiency (lm/W)	Color Temperature	Beam Angle	Input Voltage	PFC	Light Intensity	Lumens	Dimmable
40084312-DIM	10W	NICHIA	85/95	60	2700±200K	60°	220-240VAC	>0.9	660 cd	598lm	YES
40084314-DIM	10W	NICHIA	85/95	66	4000±200K	60°	220-240VAC	>0.9	690 cd	665lm	YES

Note: CRI 95 LED also available lumens is around 15% lower than the one of CRI 85 LED.



Application

- Area: Indoor use only.
- Purpose: Accent lighting, local lighting.
- General lighting
- Hotel
- Hall / Lobby
- Jewelry store
- Theater
- BAR/Restaurant
- Store
- Art gallery
- Museum
- School

LED DOWN LIGHT

General characteristics

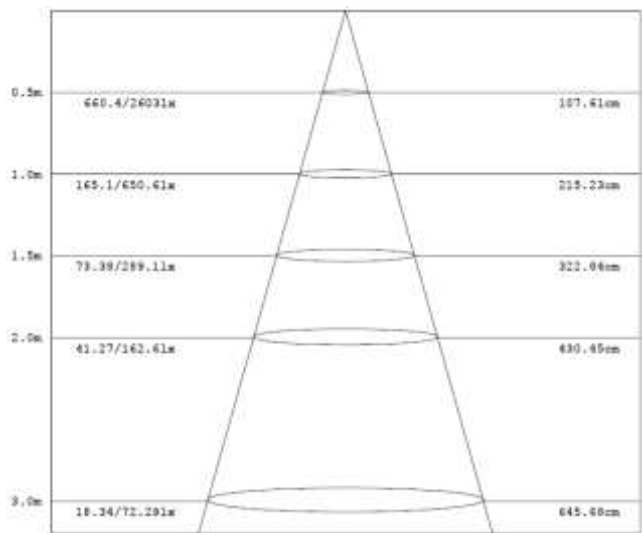
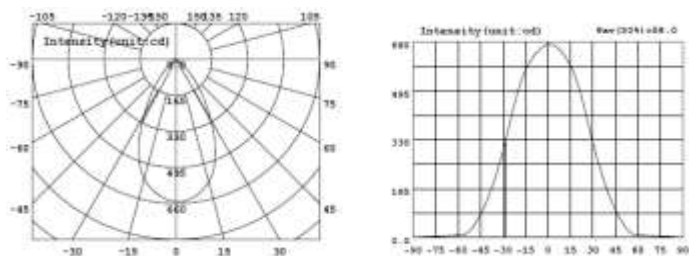
Model Number	Product name	Material	Driver	IP Rating	Dimension (mm)	Cut size(mm)	Net Weight	Lifetime (hr)	Working Temperature
40084312-DIM(WW)	LED Down Light	Aluminium +Heat-conductive plastic	Internal	IP20	Φ115x80	95-105	280g	40000	-5°C~+35°C
40084314-DIM(NW)	LED Down Light	Aluminium +Heat-conductive plastic	Internal	IP20	Φ115x80	95-105	280g	40000	-5°C~+35°C

Packaging information

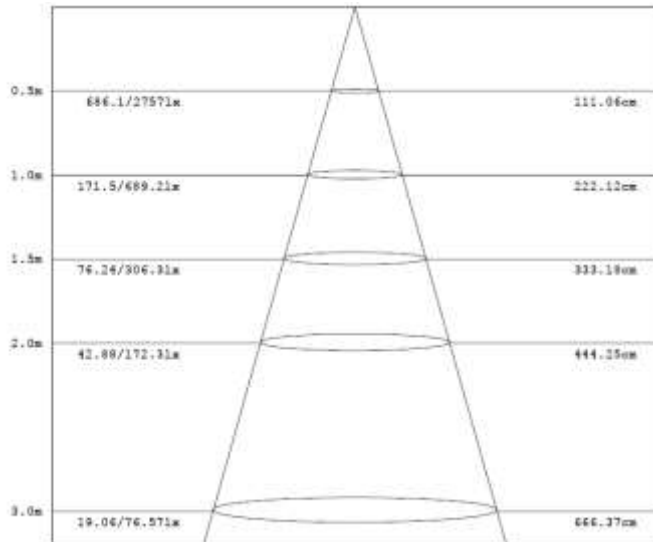
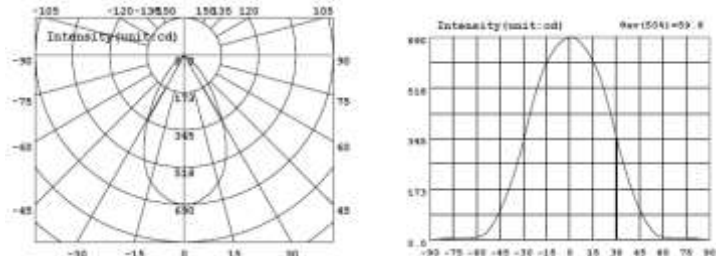
Packing: 40 PCS / carton		
Box	125×125×95(mm)	280 g
Carton	62×39×30(cm)	12.50 kg



40084312-DIM(WW) 60°



40084314-DIM(NW) 60°



Height

Lux

Diameter

Height

Lux

Diameter

LED DOWN LIGHT



Important Caution

1. Not suitable for high temperature and moisture area.
2. Not suitable for heavy air-polluted area.
3. Not suitable for close system fixture.